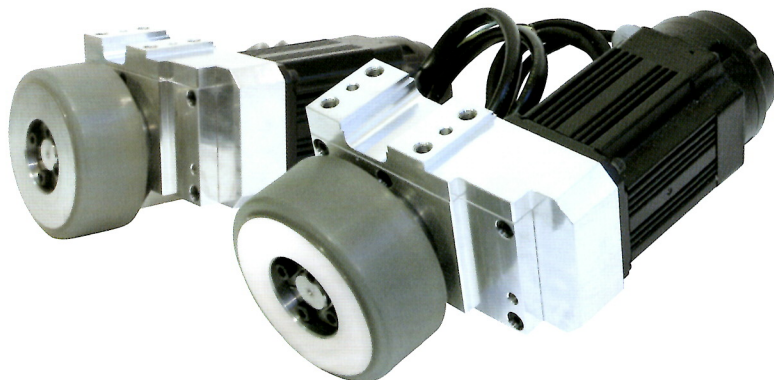


Low Cost Unit Type

AC Servo Motor with Wheels for Driving Batteries

SWR Series



1. Flexible support also available for motor placement in narrow vehicle systems. We made an integrated unit to offer a slim design.
2. The motor speed reducer and wheels have been made into integrated units so that the customer can replace the unit as needed.
3. Feel free to consult with us about supporting special specifications such as wheel diameters, wheel hardness or driving speeds.

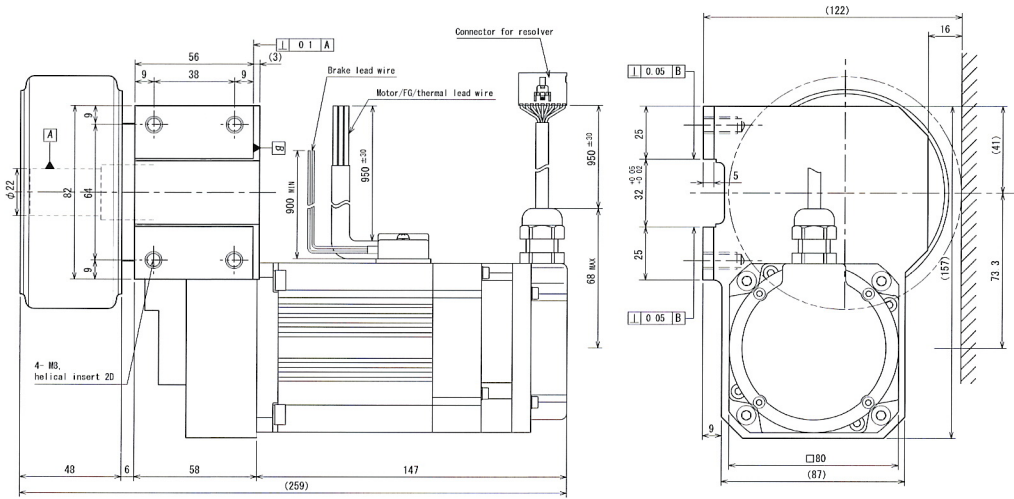
AC servo
Battery OK
Resolver
With wheels

Specification

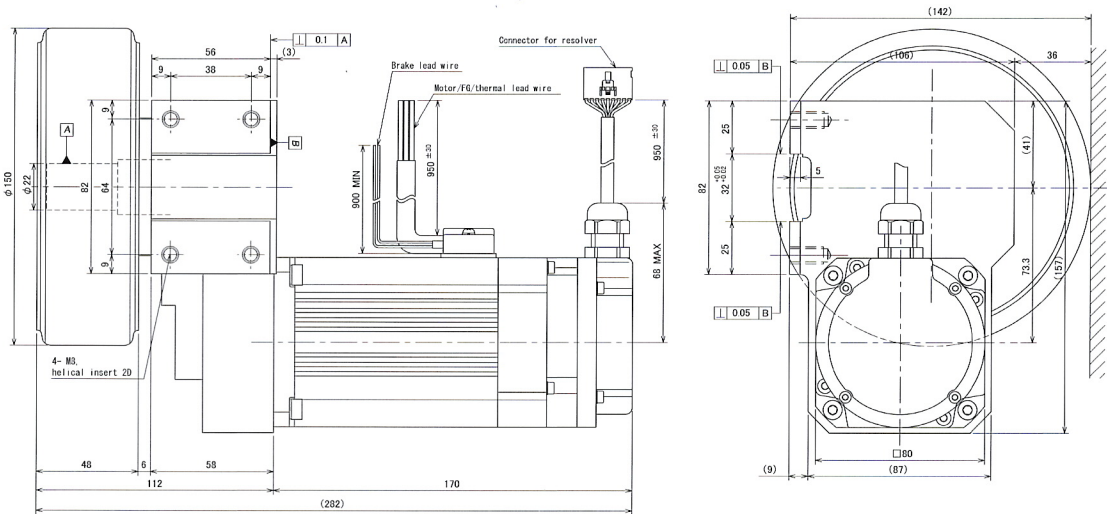
Model		SWR010B-T11	SWR020B-T15	SWR040B-T23
Wheel	Wheel diameter[mm]	φ110	φ150	φ230
	Gear ratio	1/15.2	1/16.6	1/18.19
	Backlash	1°		
	Traveling speed[m/min]	68	69	60
	Output torque[N · m]	5	15	34
	Max. torque[N · m]	10.7	31.5	72
	Tire material	Polyether urethane		
	Tire hardness	JIS K6301 A (90)		
Motor	Rated output[W]	115	258	334
	Rated speed[min^{-1}]	2650	2200	1350
	Max. speed[min^{-1}]	3000	2500	1520
	Rated torque[N · m]	0.41	1.12	2.36
	Max. torque[N · m]	0.87	2.36	5
	Rated current[Arms]	8	16	21
	Max. current[Arms]	16	32	42
	Battery voltage[V]	24		
Load capacity[N]		1764	2940	7350
Mass[kg]		7.8	9.4	19.5
Servo Amplifier	ABH3 Series	ABH3-0404	ABH3-0606	ABH3-0606

Various documentation such as CAD data can be downloaded from our website.

SWR010B-T11



SWR020B-T15



SWR040B-T23

