

RAYKEN

Rayken Tech

Pump & Valve Catalog



Company Outline

RAYKEN

Name: Rayken Technology Ltd.

Established: May, 2020

CEO: Kenny Chen

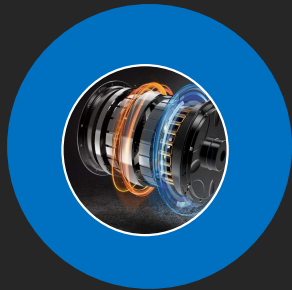
Business Fields: Motor Drives System for Micromobility,
Mobile Robot, Health Care, Smart Home

Employees: 62 (December, 2022)

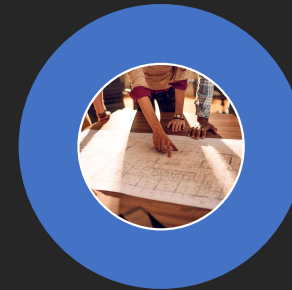


Our Advantage

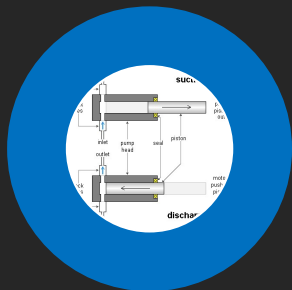
RAYKEN



30+ years of experience in motor drive, pump & valve.



Strong know-how gained through realization of various projects with top customers, such as Philips, Dyson, Sony, Panasonic etc.



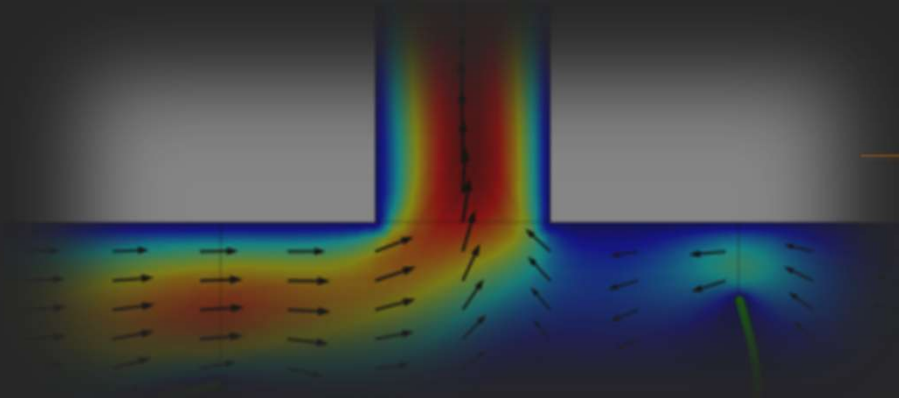
Core component, key technics, state-of-the art technology for multiple applications from one hand.



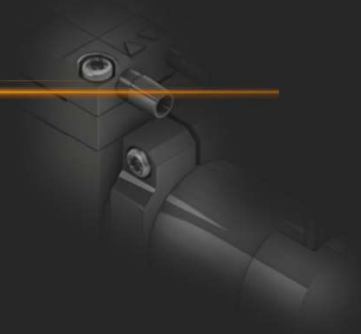
Worldwide network of professionals for efficient and quick communication.



Electromagnetic Design & Analysis
Finite Element Simulation
Thermal Simulation
System Optimization



Material Research & Development



Pump Types

RAYKEN



Air Pump



Liquid Pump



Vacuum pump



Foam Pump



Valve

Application

RAYKEN



Healthcare



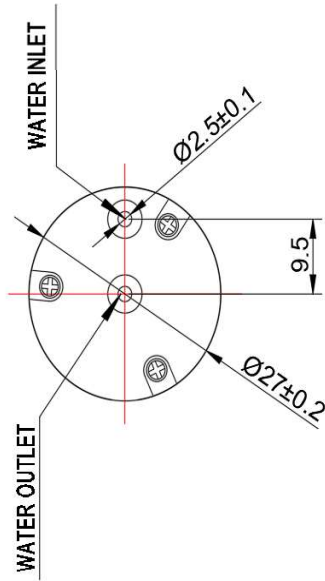
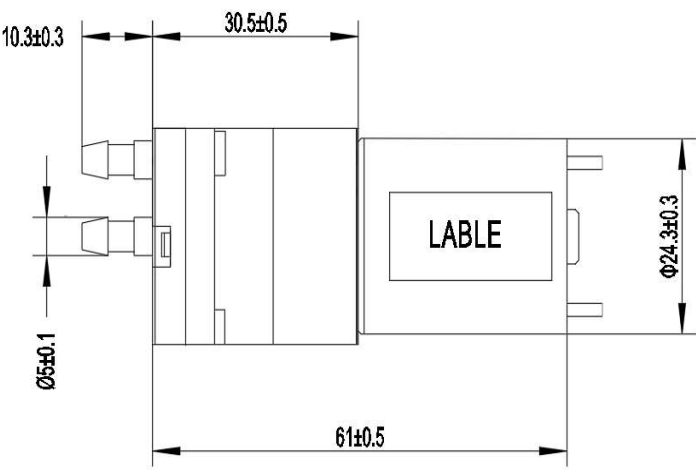
Home appliance



Automobile

Liquid Pump: RK-M2438LP

RAYKEN



Liquid Pump: RK-M2438LP

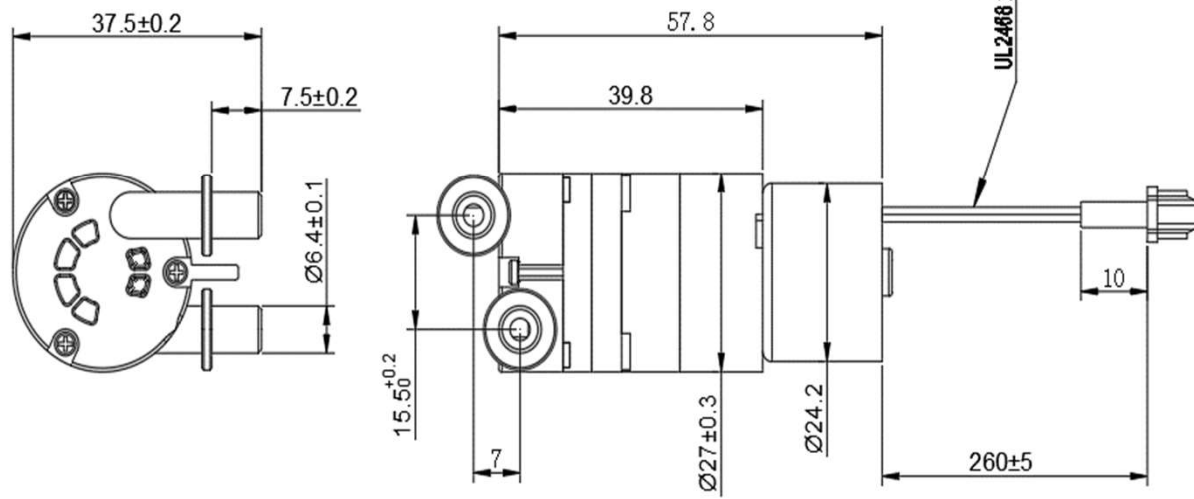
RAYKEN

Specifications

RK-M2438LP1		RK-M2438LP2	
Items	Specifications	Items	Specifications
Rated voltage (VDC)	12	Rated voltage (VDC)	12.0
Medium	Water	Medium	Water
No load flow (mL/min)	900	No load flow (mL/min)	500
Max current (A)	Max. 800	Max current (A)	Max. 200
Max pressure (Kpa)	Min.200	Max pressure (Kpa)	Min.200
Noise (dB)	Max. 55	Noise (dB)	Max. 40

Liquid Pump: RK-M2436LP

RAYKEN

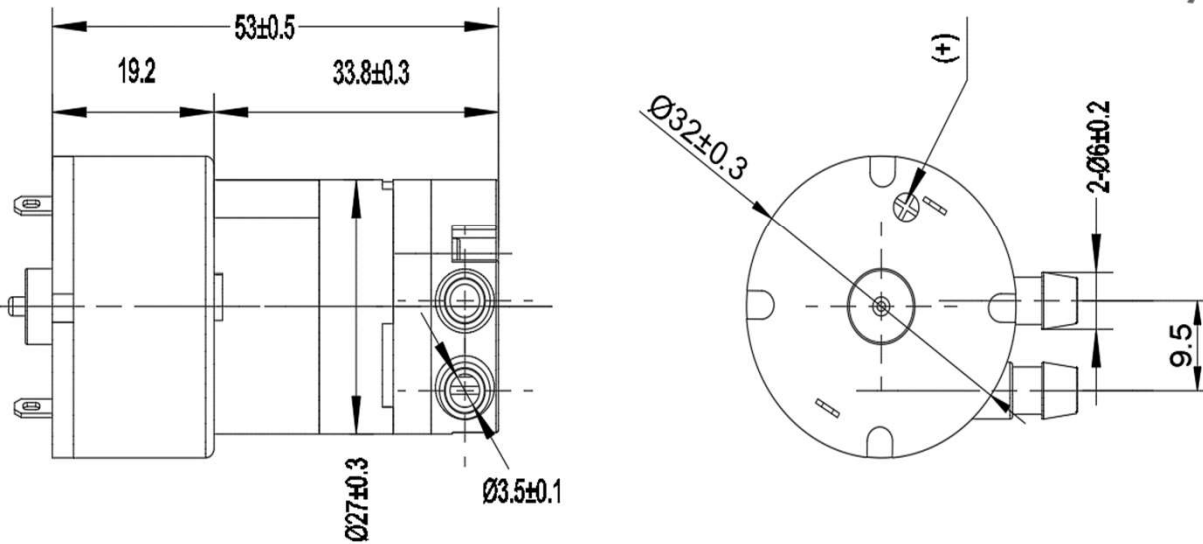


RK-M2436LP

Items	Specifications
Rated voltage (VDC)	12.0
Medium	Water
No load flow (mL/min)	600
Max current (A)	Max. 200
Max pressure (Kpa)	Min. 100
Noise (dB)	Max. 55

Liquid Pump: RK-M3230LP

RAYKEN

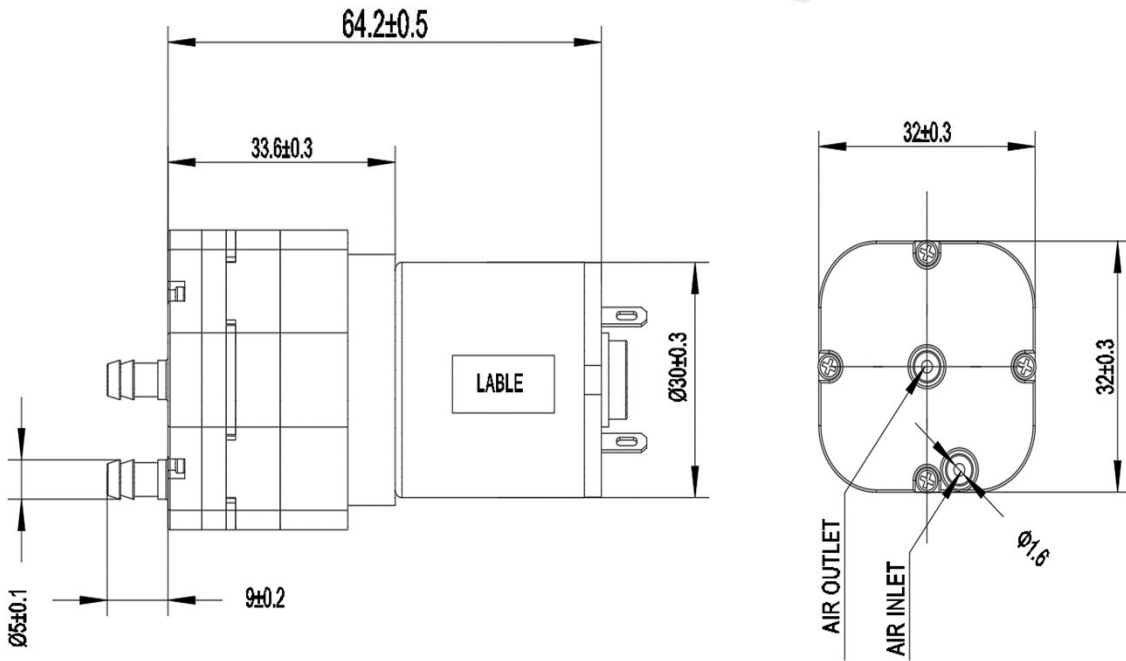


RK-M3230LP

Items	Specifications
Rated voltage (VDC)	12.0
Medium	Water
No load flow (mL/min)	40-90
Max current (A)	Max. 100
Max pressure (Kpa)	Min.40
Noise (dB)	Max. 45

Air Pump: RK-M3035AP

RAYKEN

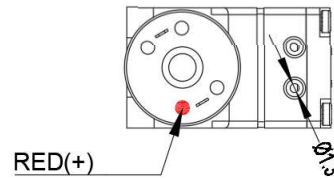
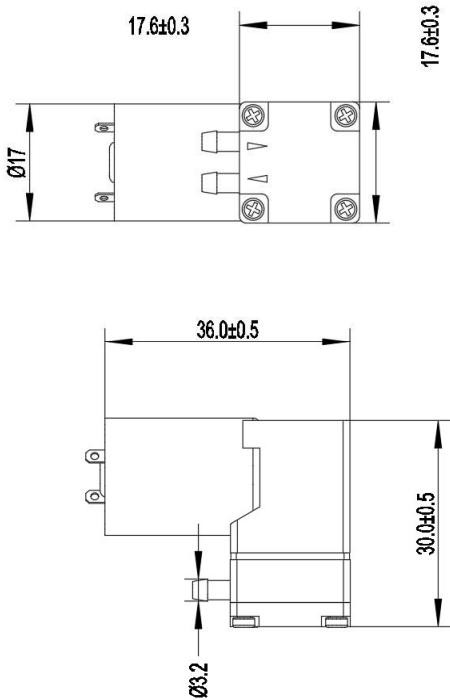
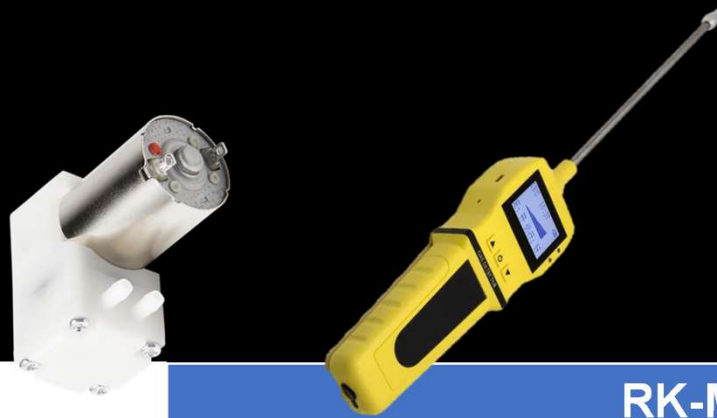


RK-M3035AP

Items	Specifications
Rated voltage (VDC)	12.0
Medium	Air
Rated load flow (ml/min)	Min.4500
Rated load current (mA)	Max. 800
Max pressure (Kpa)	Min.120
Inflation time	500cc/10s
Noise (dB)	Max. 50

Air Pump: RK-M1730AP

RAYKEN

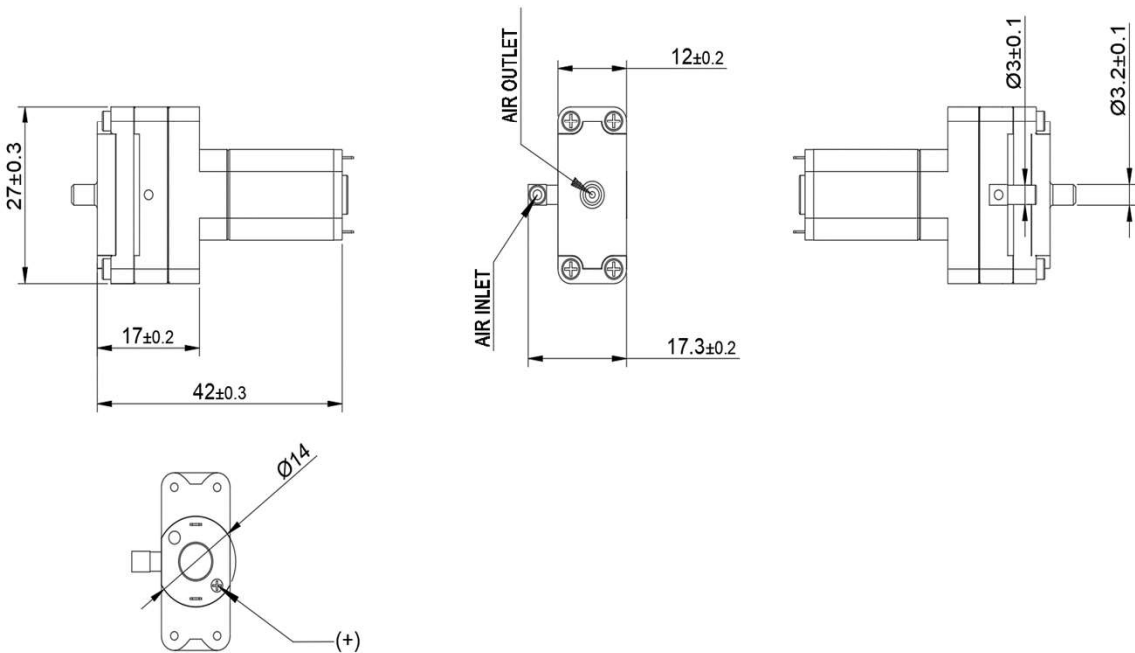


RK-M1730AP

Items	Specifications
Rated voltage (VDC)	6.0
Medium	Air
Rated load flow (ml/min)	Min.300
Rated load current (mA)	Max. 30
Max pressure (Kpa)	Min.30
Inflation time	50cc/10s
Noise (dB)	Max. 60

Air Pump: RK-M3402AP

RAYKEN

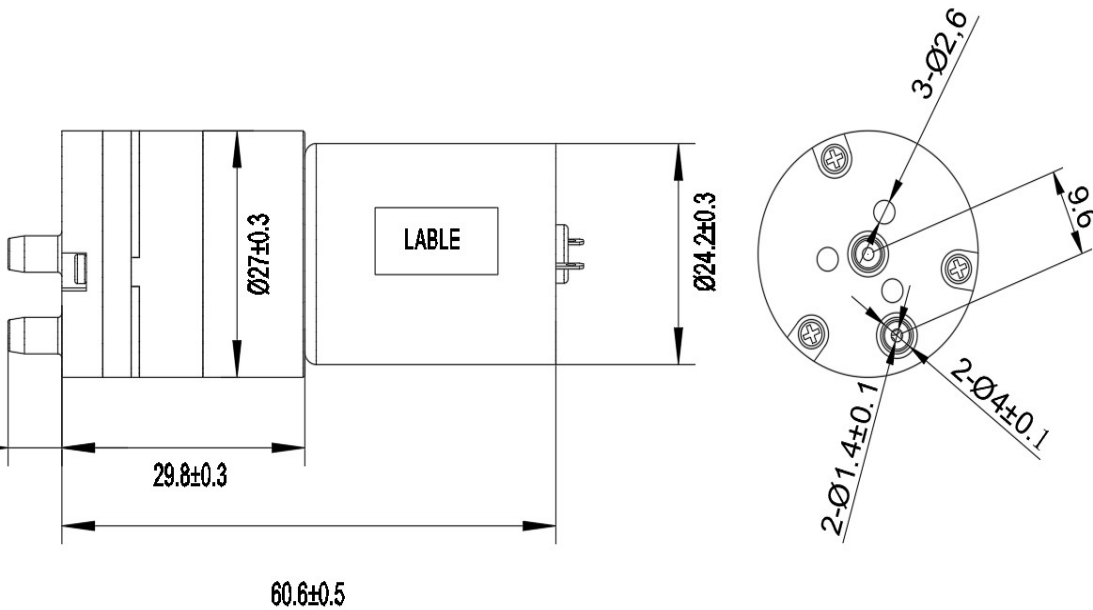


RK-M3402AP

Items	Specifications
Rated voltage (VDC)	5.0
Medium	Air
Rated load flow (ml/min)	Min.800
Rated load current (mA)	Max. 250
Max pressure (Kpa)	Min.30
Inflation time	200cc/15s
Noise (dB)	Max. 65

Vacuum Pump: RK-M2438VP

RAYKEN

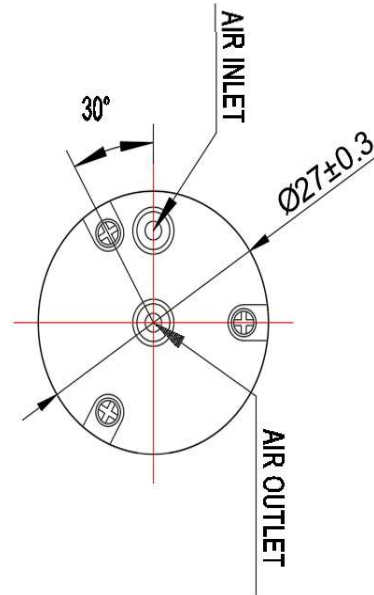
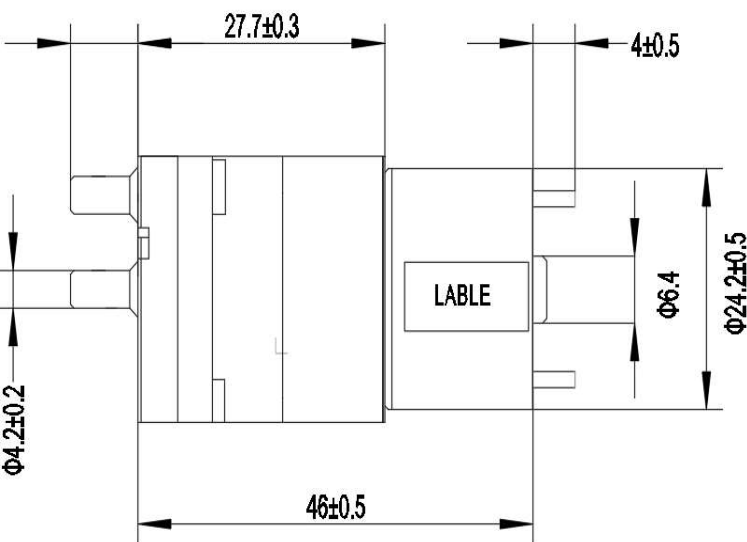


RK-M2438VP

Items	Specifications
Rated voltage (VDC)	3.0
Medium	Air
Rated load flow (ml/min)	1,000 (at -40Kpa)
Rated load current (mA)	Max. 900
Leakage (mmHg)	<5.0
Max. Vacuum(Kpa)	≤ -65
Noise (dB)	Max. 55

Vacuum Pump: RK-M2431VP

RAYKEN

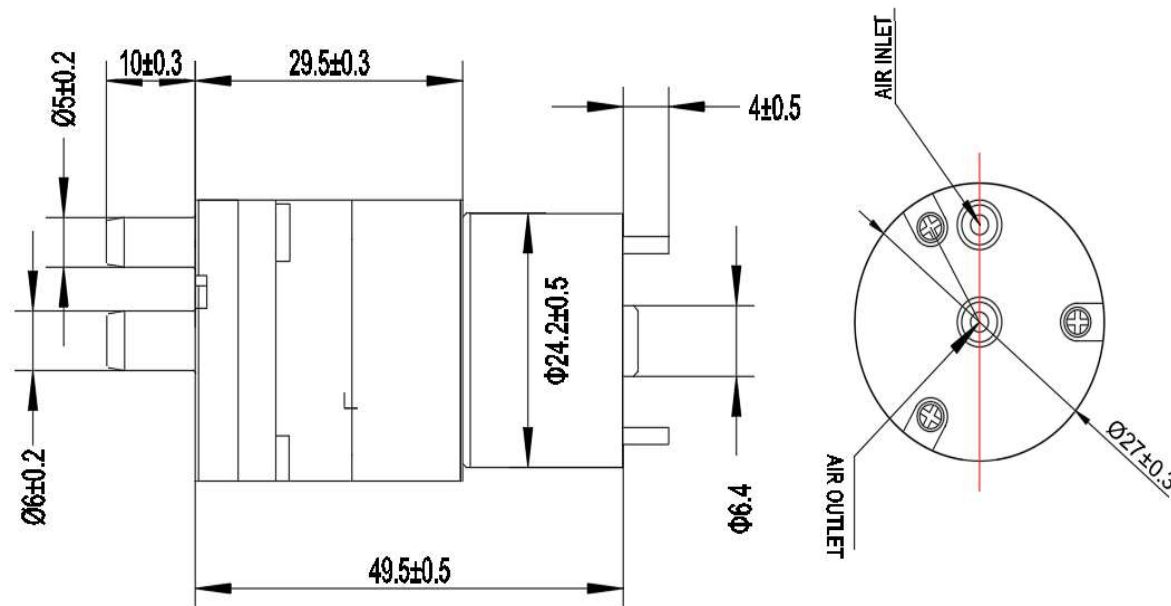


RK-M2431VP

Items	Specifications
Rated voltage (VDC)	3.7
Medium	Air
Rated load flow (ml/min)	1,250 (at -40Kpa)
Rated load current (mA)	Max. 1,100
Leakage (mmHg)	<5.0
Max. Vacuum(Kpa)	≤ -62
Noise (dB)	Max. 65

Foam Pump: RK-M2432FP

RAYKEN

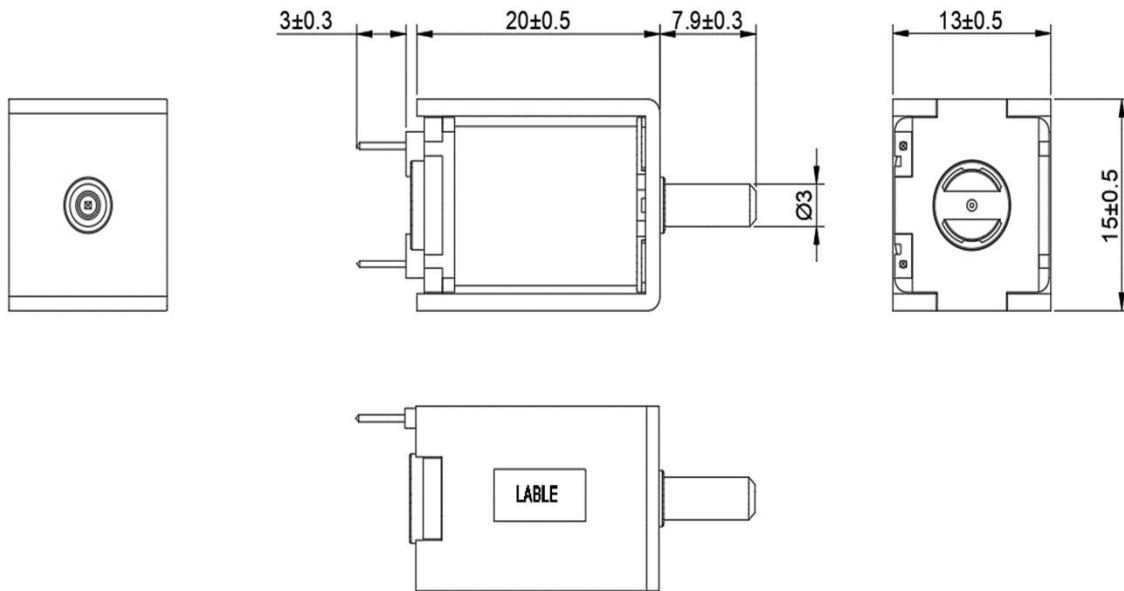


RK-M2432FP

Items	Specifications
Rated voltage (VDC)	12.0
Medium	Air & liquid
No load flow (ml/min)	3,800
No load current (mA)	Max. 480
Max. current (mA)	Max.600
Pumping flow(ml/min)	50-90
Noise (dB)	Max. 70

Proportional Valve: RK-M1520PV

RAYKEN

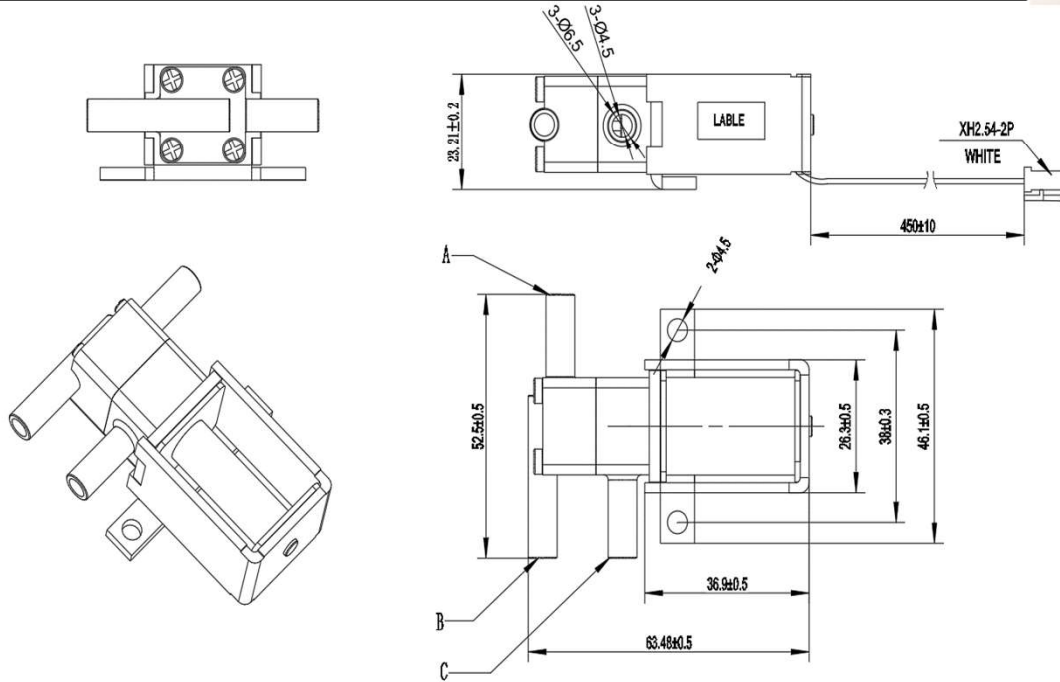


RK-M1520PV

Items	Specifications
Rated voltage (VDC)	6.0
Medium	Air
DC resistance (Ω)	35
Rated load current (mA)	171
Leakage (mmHg)	<3.0
Operating Type	Normal close

Water Valve: RK-M2637WV

RAYKEN



RK-M2637WV

Items	Specifications
Rated voltage (VDC)	12.0
Medium	Water
DC resistance (Ω)	50
Rated load current (mA)	240
Leakage (mmHg)	<5.0
Operating Type	Normal open/close

Global Marketing

RAYKEN

Loda Technik GmbH
(Marketing, Neu-Ulm)



- **Rayken Technology Ltd.**
HQ, R&D, Marketing,
(Shenzhen)
Manufacturing Site
(Hunan, Shenzhen)



Loda Technology (HK) Ltd.
(Marketing)

Rayken Corporation
(Marketing, Kanakawa)

RAYKEN

Rayken We Can

Thank you

