

Super High Pressure blower

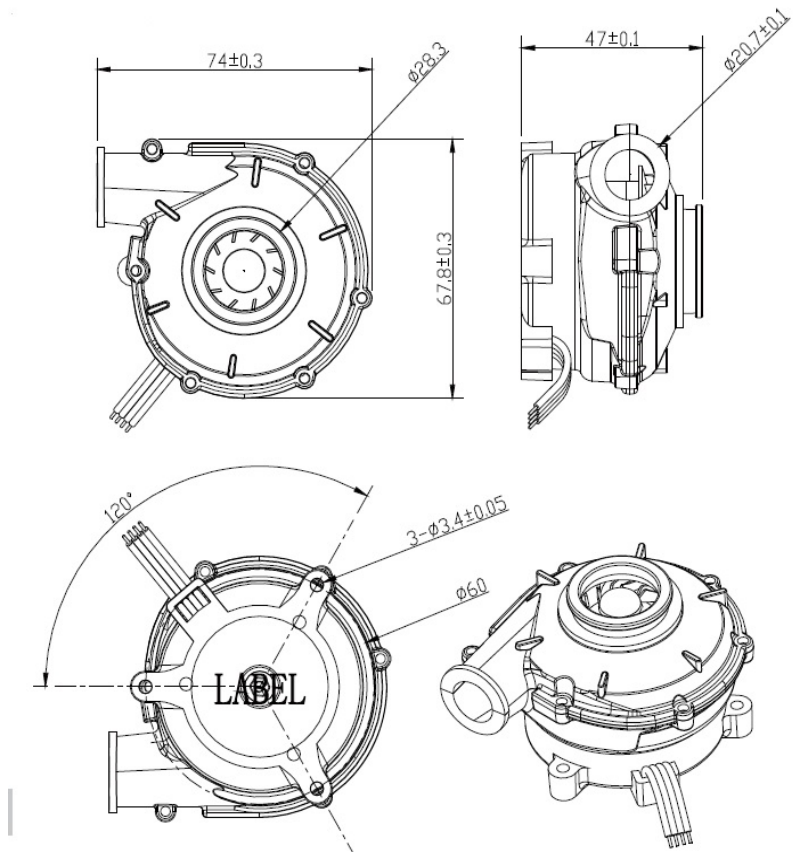
CZ-BA7050A



Integrated electronics  
 4 wires (+,-,PWM,FG)

Size : 72 x 76 x 47mm

RoHS



Impeller	Plastic			Housing	Plastic				
Bearing	BB			Operating Temperature	-10°C~60°C				
Dielectric Strength	5mA Max 500VAC 1minute			Weight	163.7g				
Insulation Resistance	10MΩ Min at 500VDC			IP	IP21/IP68				
Model	Voltage	Rated current	Power	Rated speed	Max Pressure		Max air flow		Noise
	(v)	(A)	(W)	(rpm)	inchH <sub>2</sub> O	mmH <sub>2</sub> O	CFM	m <sup>3</sup> /min	dB(A)@1M
H12B	12	6	72	38000	28.39	721	17.84	0.505	71.5
H24B	24	3	72	38000	28.39	721	17.84	0.505	71.5

